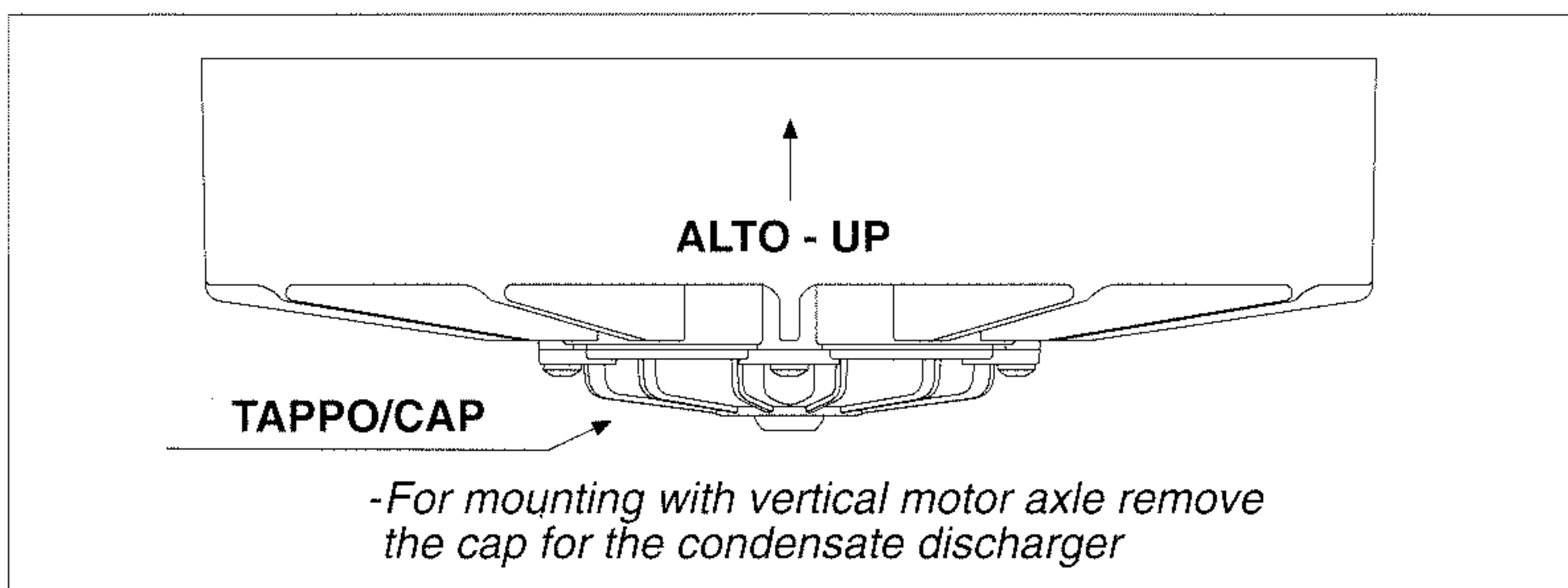
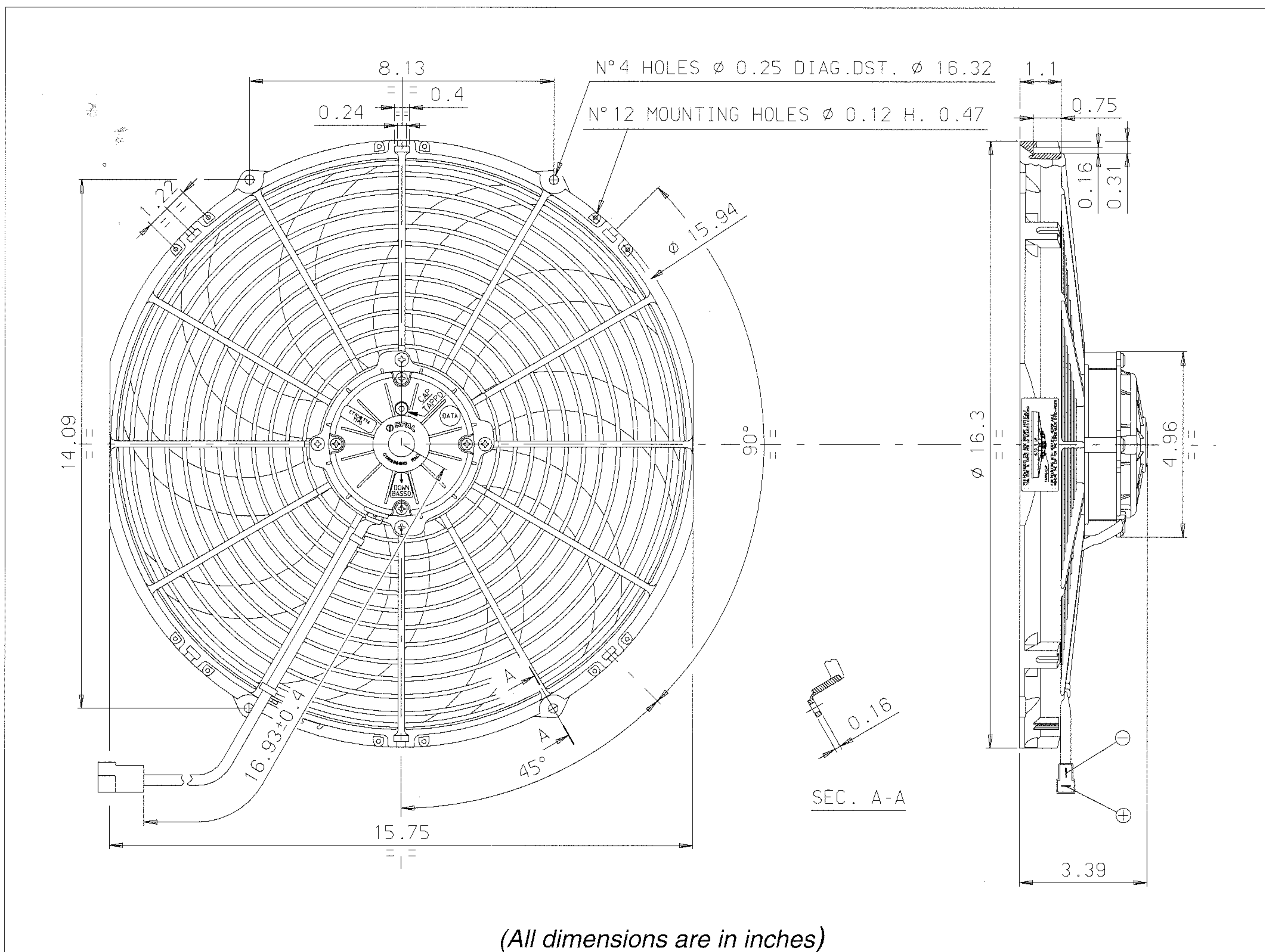


Art. <b>30102049</b> <b>30102048</b>	Type <b>VA18 - AP13 - 59A</b> Pull <b>VA18 - AP13 - 42S</b> Push	Fan diameter <b>16"</b>
--	--	----------------------------



- \* Weight 5.17 lbs. approx.
- \* Long life
- \* Fan with back skewed blades
- \* Low noise
- \* Available accessories: all the mounting kits.

Test voltage 13 V DC

Static pressure in H <sub>2</sub> O	PUSH		PULL	
	Airflow cfm	Current input A	Airflow cfm	Current input A
0	1920	18.5	2070	17.4
0.1	1740	18.4	1950	17.6
0.2	1570	18.3	1860	18.5
0.3	1390	18.2	1710	18.7
0.4	1120	18	1570	19
0.5	860	17.6	1360	18.8
0.6	510	17	1040	18.3
0.7	90	17.8	650	17.2
0.8	-	18	450	17
1.0	-	-	-	17

Static pressure: 1 mm H<sub>2</sub>O = 0,04 in. H<sub>2</sub>O  
Airflow: 1 m<sup>3</sup>/h = 0,59 cfm